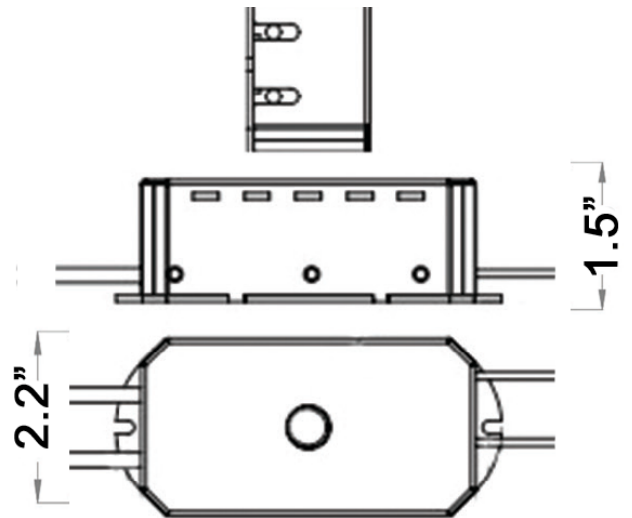
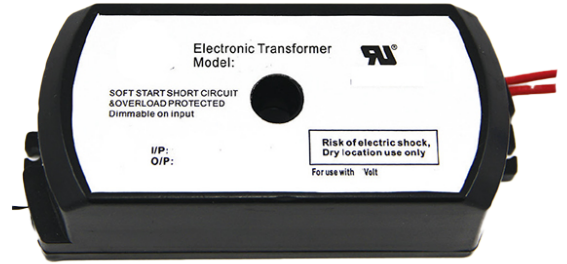


96W, 24V POWER SUPPLY, 120V INPUT, ELV DIMMING

96W, 24V Power Supply. 120V input. ELV dimming. Auto-reset; Short circuit, overload and thermal protection Soft start UL recognized Class 2 power supply meet UL 2108 requirements 4.75" x 2.2" x 1.5"



Model Number Configuration

PS-96-24-ELV

Electrical

Voltage	120V
Dimming	ELV Dimming
Power	96
Lumens	N/A
Power factor	>98%

Environmental

CRI	N/A
Environment	N/A
Light Source	N/A
Chip	N/A
Life rating	N/A
Listings	N/A

Mechanical

Installation	N/A
Cord Legth	N/A
Dimensions	4.75" x 2.2" x 1.5"
Weight	N/A
Material	N/A
Finish	N/A

Driver Options

Driver code	N/A
--------------------	-----

Wiring Guide

18 AWG	25 Feet
16 AWG	40Feet
14 AWG	60 feet