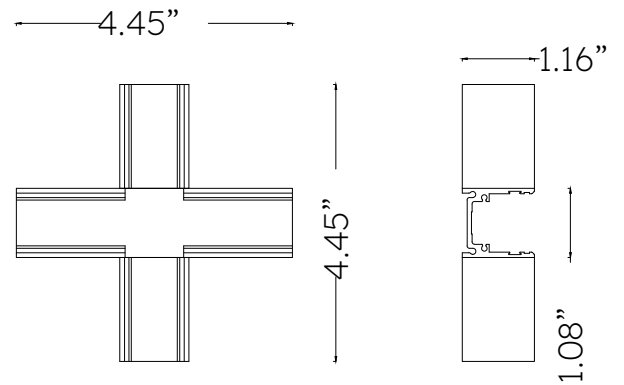


# MAGS MINI CROSS CONNECTOR

MAGS Mini Series Magnetic Track Cross conductive connector. Connect four pieces of MAGS Mini track together with the Cross Connector to create an intersection of light. Cross Connector connects together 4 sides of Mini track. Choice of black or white finish. 4.45 inches x 4.45 inches x 1.16 inches



## Model Number Configuration

**MAGS-ES-ACC-CRO**

--

**Finish**

BL - Black

WH - White

## Electrical

<b>Voltage</b>	N/A
<b>Dimming</b>	N/A
<b>Power</b>	N/A
<b>Lumens</b>	N/A
<b>Power factor</b>	N/A

## Environmental

<b>CRI</b>	N/A
<b>Environment</b>	Dry
<b>Light Source</b>	N/A
<b>Chip</b>	N/A
<b>Life rating</b>	N/A
<b>Listings</b>	C-ETL Listed to UL1598

## Mechanical

<b>Installation</b>	N/A
<b>Cord Legth</b>	N/A
<b>Dimensions</b>	4.45 inches x 4.45 inches x 1.16 inches
<b>Weight</b>	N/A
<b>Material</b>	Aluminum
<b>Finish</b>	Powder Coated

## Driver Options

<b>Driver code</b>	N/A
--------------------	-----

## Wiring Guide

<b>18 AWG</b>	25 Feet
<b>16 AWG</b>	40Feet