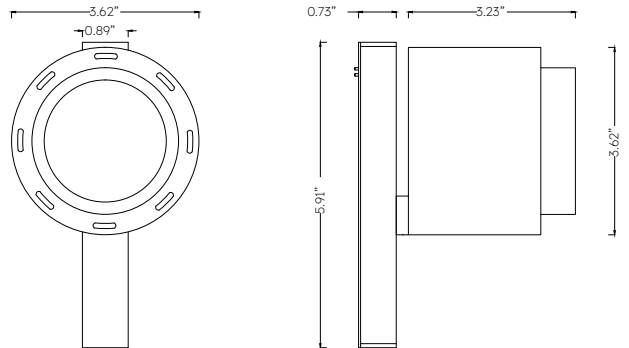


# MAGS MINI Ø3.6" SPOT

MAGS Mini Series Light Fixture. Fixture engages with track system electrically and mechanically via magnetic connection and can be easily moved along the track. Model MAGS-ES-S92R is a DRY rated Magnetic Track, Adjustable Spotlight Aluminum light offered in a Black or white finish. This Light Fixture is CETL listed and contains 1 lights, total of 15 watts, delivering 485 lumens using a Cree LED Module with +90 CRI. Dimmable via 24V Volt Remote Driver (sold separately). Choice of 10, 20, or 30 degree beam spread. Choice of 2700K, 3000K, 3500K, or 4000K CCT. Spotlight Dimensions are 3.23inches long x 3.62 inches diameter with a 90 degree tilt and 360 degree rotation.



## Model Number Configuration

### MAGS-ES-S92R

---

#### Optics

- D10 - 10°
- D20 - 20°
- D30 - 30°

---

#### CCT

- 27 - 2700K
- 30 - 3000K
- 35 - 3500K
- 40 - 4000K

---

#### Finish

- BL - Black
- WH - White

## Electrical

<b>Voltage</b>	24V
<b>Dimming</b>	Driver dependent
<b>Power</b>	15W
<b>Lumens</b>	485
<b>Power factor</b>	N/A

## Environmental

<b>CRI</b>	>90
<b>Environment</b>	Dry
<b>Light Source</b>	LED
<b>Chip</b>	Cree
<b>Life rating</b>	N/A
<b>Listings</b>	C-ETL Listed to UL1598

## Mechanical

<b>Installation</b>	N/A
<b>Cord Legth</b>	N/A
<b>Dimensions</b>	3.23"L x 3.62" Dia
<b>Weight</b>	N/A
<b>Material</b>	Aluminum
<b>Finish</b>	Powder Coated

## Driver Options

<b>Driver code</b>	PS-96-24-UNI-UNI - Universal input (120-277V) and Universal dimming (ELV, TRIAC, 0-10V) 0-100% dimming. Up to 20 Small or 10 Large Pendants.
--------------------	--

## Photometric and Light Distribution

D10				D20			
<b>10°</b> 	h(m)	E(lx)	Φ(m)	<b>20°</b> 	h(m)	E(lx)	Φ(m)
	1	9750	Φ0.20		1	6022	Φ0.25
	2	2437	Φ0.40		2	1505	Φ0.50
	3	1083	Φ0.60		3	669	Φ0.75
	4	609	Φ0.80		4	376	Φ1.00
	5	390	Φ1.00		5	240	Φ1.25
<b>D30</b>							
<b>30°</b> 	h(m)	E(lx)	Φ(m)				
	1	2204	Φ0.39				
	2	551	Φ0.79				
	3	244	Φ1.19				
	4	137	Φ1.59				
	5	88	Φ1.99				