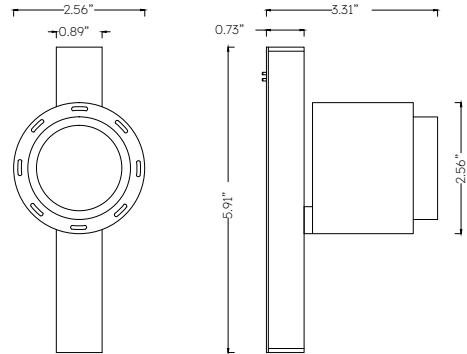


# MAGS MINI Ø2.6" SPOT

MAGS Mini Series Light Fixture. Fixture engages with track system electrically and mechanically via magnetic connection and can be easily moved along the track. Model MAGS-ES-S65R is a DRY rated Magnetic Track, Adjustable Spotlight Aluminum light offered in a Black or white finish. This Light Fixture is CETL listed and contains 1 lights, total of 8 watts, Downlight delivering 255 lumens using a Cree LED Module with +90 CRI. Choice of 10, 20, or 30 degree beam spread. Choice of 2700K, 3000K, 3500K, or 4000K CCT. Dimmable via 24V Volt Remote Driver (sold separately). Spotlight Dimensions are 2.48 inches long x 2.56 inches in diameter with a 90-degree tilt and 360-degree rotation.



## Model Number Configuration

### MAGS-ES-S65R

---

#### Optics

- D10 - 10°
- D20 - 20°
- D30 - 30°

--

#### CCT

- 27 - 2700K
- 30 - 3000K
- 35 - 3500K
- 40 - 4000K

--

#### Finish

- BL - Black
- WH - White

## Electrical

<b>Voltage</b>	24V
<b>Dimming</b>	Driver dependent
<b>Power</b>	8W
<b>Lumens</b>	255
<b>Power factor</b>	N/A

## Environmental

<b>CRI</b>	>90
<b>Environment</b>	Dry
<b>Light Source</b>	LED
<b>Chip</b>	Cree
<b>Life rating</b>	N/A
<b>Listings</b>	C-ETL Listed to UL1598

## Mechanical

<b>Installation</b>	N/A
<b>Cord Legth</b>	N/A
<b>Dimensions</b>	2.48"L x 2.56" Dia
<b>Weight</b>	N/A
<b>Material</b>	Aluminum
<b>Finish</b>	Powder Coated

## Driver Options

<b>Driver code</b>	PS-96-24-UNI-UNI - Universal input (120-277V) and Universal dimming (ELV, TRIAC, 0-10V) 0-100% dimming. Up to 20 Small or 10 Large Pendants.
--------------------	--

## Photometric and Light Distribution

D10		D20																																					
<p><b>10°</b></p>	<table border="1"> <thead> <tr> <th>h(m)</th> <th>E(lx)</th> <th>Φ(m)</th> </tr> </thead> <tbody> <tr><td>1</td><td>4109</td><td>Φ0.20</td></tr> <tr><td>2</td><td>1027</td><td>Φ0.40</td></tr> <tr><td>3</td><td>456</td><td>Φ0.61</td></tr> <tr><td>4</td><td>256</td><td>Φ0.81</td></tr> <tr><td>5</td><td>164</td><td>Φ1.02</td></tr> </tbody> </table>	h(m)	E(lx)	Φ(m)	1	4109	Φ0.20	2	1027	Φ0.40	3	456	Φ0.61	4	256	Φ0.81	5	164	Φ1.02	<p><b>20°</b></p>	<table border="1"> <thead> <tr> <th>h(m)</th> <th>E(lx)</th> <th>Φ(m)</th> </tr> </thead> <tbody> <tr><td>1</td><td>2805</td><td>Φ0.27</td></tr> <tr><td>2</td><td>701</td><td>Φ0.55</td></tr> <tr><td>3</td><td>311</td><td>Φ0.82</td></tr> <tr><td>4</td><td>175</td><td>Φ1.10</td></tr> <tr><td>5</td><td>112</td><td>Φ1.37</td></tr> </tbody> </table>	h(m)	E(lx)	Φ(m)	1	2805	Φ0.27	2	701	Φ0.55	3	311	Φ0.82	4	175	Φ1.10	5	112	Φ1.37
h(m)	E(lx)	Φ(m)																																					
1	4109	Φ0.20																																					
2	1027	Φ0.40																																					
3	456	Φ0.61																																					
4	256	Φ0.81																																					
5	164	Φ1.02																																					
h(m)	E(lx)	Φ(m)																																					
1	2805	Φ0.27																																					
2	701	Φ0.55																																					
3	311	Φ0.82																																					
4	175	Φ1.10																																					
5	112	Φ1.37																																					
<p><b>D30</b></p> <p><b>30°</b></p>		<table border="1"> <thead> <tr> <th>h(m)</th> <th>E(lx)</th> <th>Φ(m)</th> </tr> </thead> <tbody> <tr><td>1</td><td>645</td><td>Φ0.58</td></tr> <tr><td>2</td><td>161</td><td>Φ1.16</td></tr> <tr><td>3</td><td>71</td><td>Φ1.74</td></tr> <tr><td>4</td><td>40</td><td>Φ2.32</td></tr> <tr><td>5</td><td>25</td><td>Φ2.91</td></tr> </tbody> </table>		h(m)	E(lx)	Φ(m)	1	645	Φ0.58	2	161	Φ1.16	3	71	Φ1.74	4	40	Φ2.32	5	25	Φ2.91																		
h(m)	E(lx)	Φ(m)																																					
1	645	Φ0.58																																					
2	161	Φ1.16																																					
3	71	Φ1.74																																					
4	40	Φ2.32																																					
5	25	Φ2.91																																					