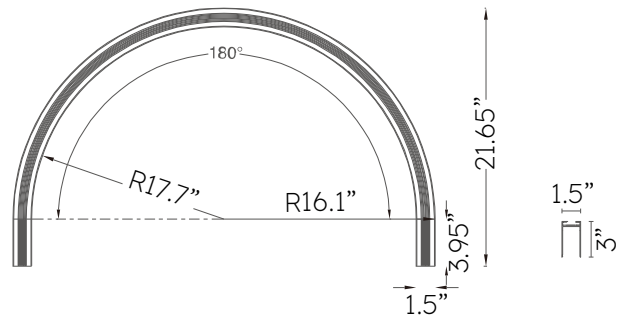


MAGS 180 DEGREE RECESSED / TRIMLESS CURVED TRACK SECTION

Recessed / Trimless Curved Track. 180 Degree Section with 900cm (36") Diameter. Offered in black or white finish.



Model Number Configuration

ACC-TC180R

--

Finish

BL - Black

WH - White

Electrical

| | |
|---------------------|-----|
| Voltage | N/A |
| Dimming | N/A |
| Power | N/A |
| Lumens | N/A |
| Power factor | N/A |

Environmental

| | |
|---------------------|------------------------|
| CRI | N/A |
| Environment | N/A |
| Light Source | N/A |
| Chip | N/A |
| Life rating | N/A |
| Listings | C-ETL Listed to UL1598 |

Mechanical

| | |
|---------------------|---------------|
| Installation | N/A |
| Cord Legth | N/A |
| Dimensions | 1.5" W x 3" H |
| Weight | N/A |
| Material | Aluminum |
| Finish | Powder Coated |

Driver Options

| | |
|--------------------|-----|
| Driver code | N/A |
|--------------------|-----|

Wiring Guide

| | |
|---------------|---------|
| 18 AWG | 25 Feet |
| 16 AWG | 40Feet |