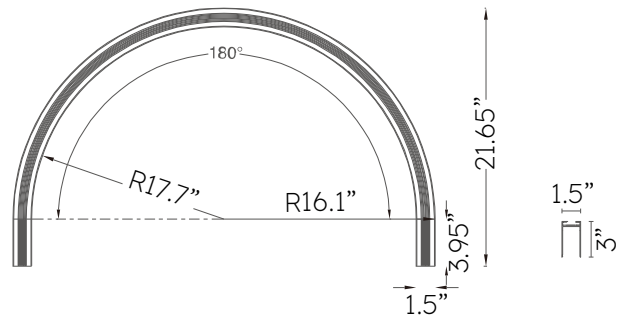


# MAGS 180 DEGREE CURVED TRACK SECTION

Surface / Suspended Curved Track. 180 Degree Section with 900cm (36") Diameter. Offered in black or white finish.



## Model Number Configuration

ACC-TC180

--

Finish

BL - Black

WH - White

## Electrical

<b>Voltage</b>	N/A
<b>Dimming</b>	N/A
<b>Power</b>	N/A
<b>Lumens</b>	N/A
<b>Power factor</b>	N/A

## Environmental

<b>CRI</b>	N/A
<b>Environment</b>	N/A
<b>Light Source</b>	N/A
<b>Chip</b>	N/A
<b>Life rating</b>	N/A
<b>Listings</b>	C-ETL Listed to UL1598

## Mechanical

<b>Installation</b>	N/A
<b>Cord Legth</b>	N/A
<b>Dimensions</b>	36" L x 1.5"W x 3"H
<b>Weight</b>	N/A
<b>Material</b>	Aluminum
<b>Finish</b>	Powder Coated

## Driver Options

<b>Driver code</b>	N/A
--------------------	-----

## Wiring Guide

<b>18 AWG</b>	25 Feet
<b>16 AWG</b>	40Feet