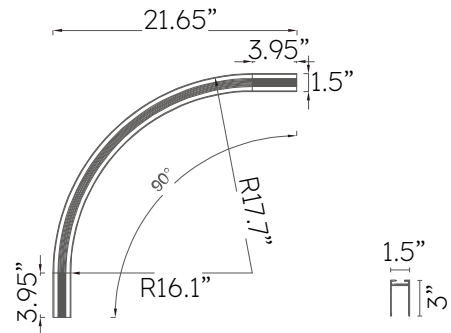


MAGS 90 DEGREE CURVED TRACK SECTION

Surface / Suspended Curved Track. 90 Degree Section with 900cm (36") Diameter. Offered in Black or white Finish. 18"L x 1.5"W x 3"H



Model Number Configuration

ACC-TC90

--

Finish

BL - Black

WH - White

Electrical

Voltage	N/A
Dimming	N/A
Power	N/A
Lumens	N/A
Power factor	N/A

Environmental

CRI	N/A
Environment	N/A
Light Source	N/A
Chip	N/A
Life rating	N/A
Listings	C-ETL Listed to UL1598

Mechanical

Installation	N/A
Cord Legth	N/A
Dimensions	18"L x 1.5"W x 3"H
Weight	N/A
Material	Aluminum
Finish	Powder Coated

Driver Options

Driver code	N/A
--------------------	-----

Wiring Guide

18 AWG	25 Feet
16 AWG	40Feet