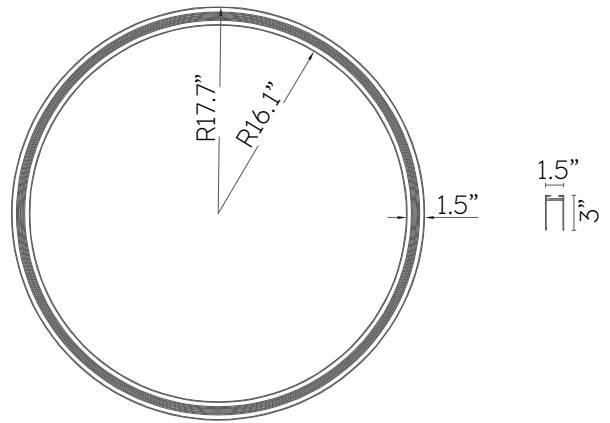


MAGS Ø 36" CIRCULAR TRACK

Surface / Suspended Magnetic Circular Track System.
900mm (36") Diameter. Max input 96W, with surface
mounted kits. Black or white finish.



Model Number Configuration

ACC-TC

--

Finish

BL - Black

WH - White

Electrical

Voltage	N/A
Dimming	N/A
Power	N/A
Lumens	N/A
Power factor	N/A

Environmental

CRI	N/A
Environment	Dry
Light Source	N/A
Chip	N/A
Life rating	N/A
Listings	C-ETL Listed to UL1598

Mechanical

Installation	N/A
Cord Legth	N/A
Dimensions	35.375" L x 1.5"W x 3"H
Weight	17.2 lbs
Material	Aluminum
Finish	Powder Coated

Driver Options

Driver code	N/A
--------------------	-----

Wiring Guide

18 AWG	25 Feet
16 AWG	40Feet